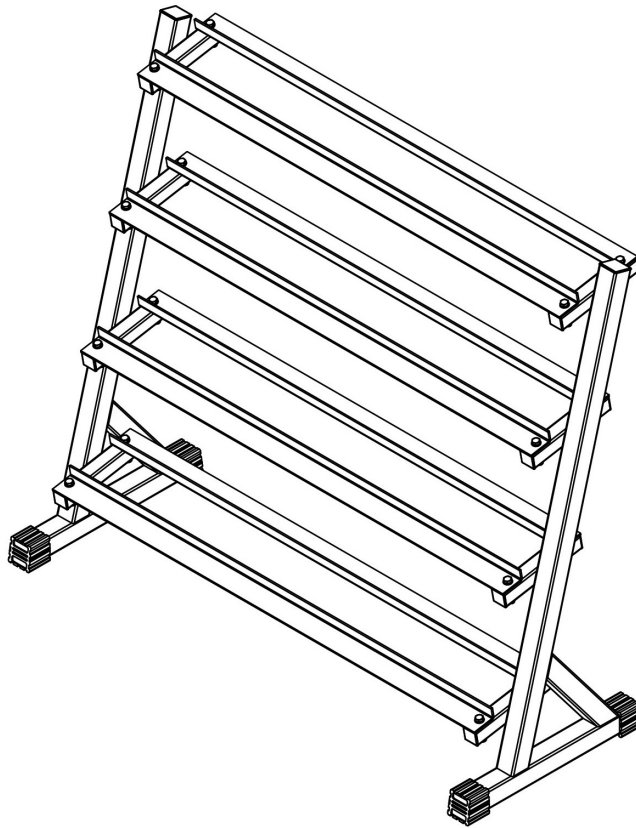


Assembly & Operating Instructions

Ironmaster 4-Tier Fixed Dumbbell Rack

Congratulations on your purchase of this fine Ironmaster product. Be sure to read and understand the operating instructions to achieve the best performance and avoid injury.



Ironmaster recommends loading lightest weights on the upper tiers and heavier weights on the bottom for maximum stability.



Do not under any circumstances attempt to move the rack when loaded.

Warranty Information:

Ironmaster warrants to the original purchaser that this Home Fitness Product will be free from defects in workmanship and materials for a specific period from date of purchase based on the part type listed below. During the warranty period, Ironmaster will either repair or replace, at its option, defective part(s) at no charge. Warranty covers in home use only.

1 year for normal wear items such as rubber, upholstered parts and surface finishes.

10 years for frame and structural components.

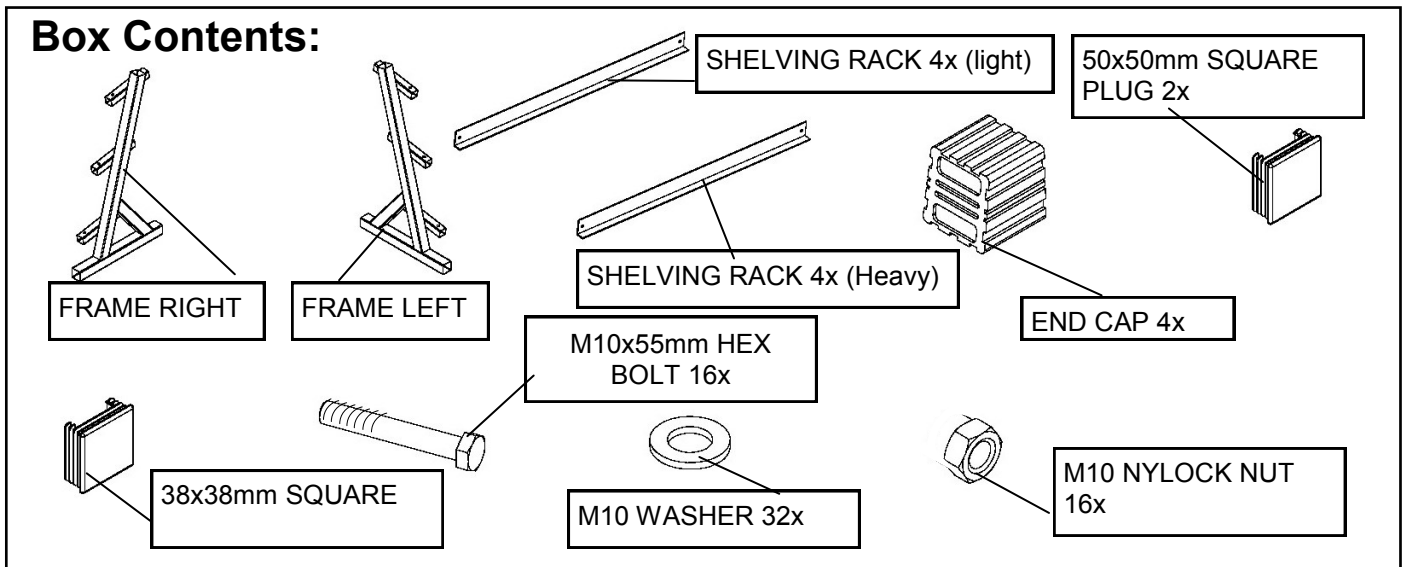
Shipping costs are not included in the warranty and some items may need to be sent to Ironmaster for repair or replacement. Installation of any parts and labor involved is not included. The warranties described above shall be the sole and exclusive remedy available to the purchaser. Correction of defects, in the manner and for the period of time described above, shall constitute complete fulfillment of all liabilities and responsibilities of Ironmaster to the purchaser with respect to the product, and shall constitute full satisfaction of all claims, whether based on contract, negligence, strict liability or otherwise. In no event shall Ironmaster be liable or in any other way responsible for damages or defects in the product which were caused by repairs or attempted repairs performed by anyone other than Ironmaster or Authorized service Contractor. This warranty shall not apply if the defect was caused by misuse, neglect or normal wear and tear of the product purchased. Nor shall Ironmaster be liable or in any way responsible for any incidental or consequential economic or property damage. Some states do not allow the exclusion of incidental or consequential damage, so the above exclusion may not apply to you.

For customer service, contact your local distributor or:

Ironmaster LLC, 14562 167th Ave SE Monroe, WA 98272 USA

Web site: www.ironmaster.com Email: support@ironmaster.com Tel: 800-533-3339 or 1-360-217-7780

Box Contents:

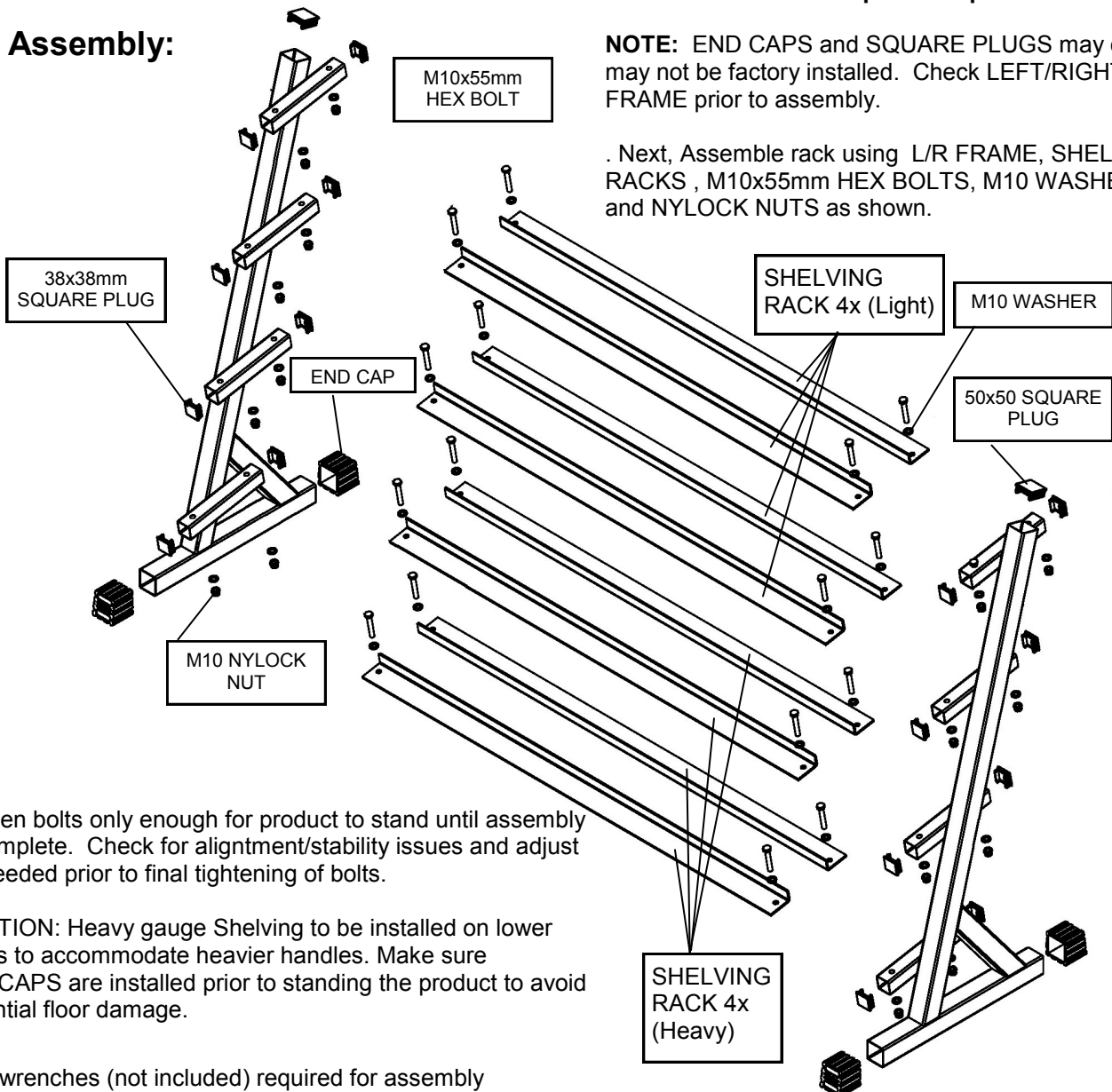


Locate and confirm all parts are present.

Assembly:

NOTE: END CAPS and SQUARE PLUGS may or may not be factory installed. Check LEFT/RIGHT FRAME prior to assembly.

Next, Assemble rack using L/R FRAME, SHELVING RACKS, M10x55mm HEX BOLTS, M10 WASHERS and NYLOCK NUTS as shown.



Tighten bolts only enough for product to stand until assembly is complete. Check for alignment/stability issues and adjust as needed prior to final tightening of bolts.

CAUTION: Heavy gauge Shelving to be installed on lower levels to accommodate heavier handles. Make sure ENDCAPS are installed prior to standing the product to avoid potential floor damage.

Two wrenches (not included) required for assembly