

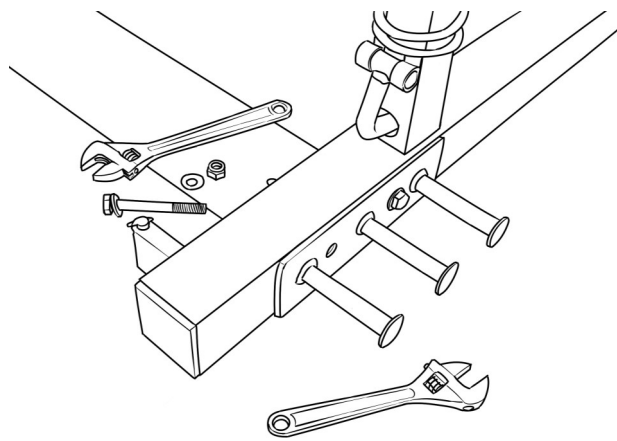
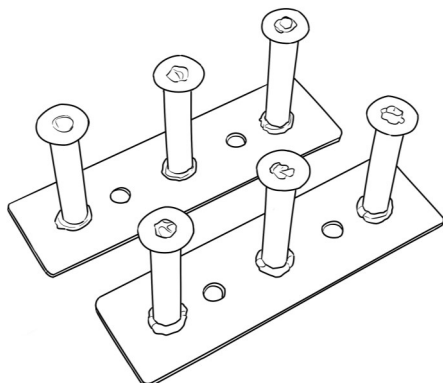
Assembly & Operating Instructions

Ironmaster IM2000 Band Peg Attachment

Congratulations on your purchase of this fine Ironmaster product. Be sure to read and understand the operating instructions to achieve the best performance and avoid injury.

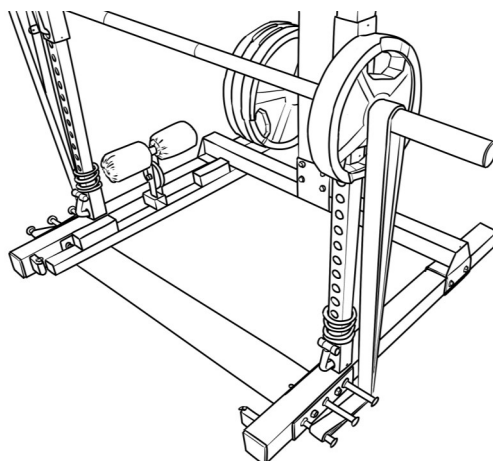
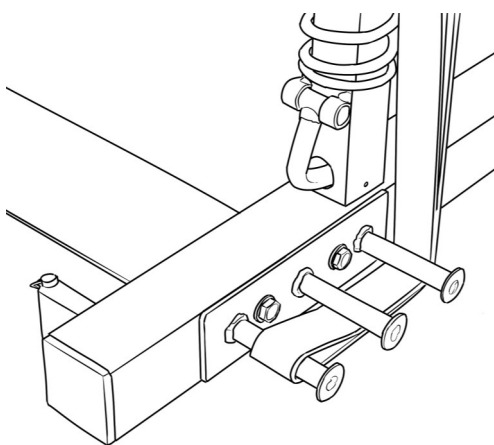
CONTENTS:

2x BAND PEG BRACKETS



Assembly: Remove existing M12 bolts from the frame of IM2000 BASE as shown. Align BAND PEG brackets over existing bolt holes with BAND PEGS facing outward.

Reinstall bolts and tighten NOTE: 2x 19mm or adjustable wrenches required for assembly (not included)



Operation:

Power bands not included. You can connect bands to the built in lifting bar or to a separate barbell with appropriate optional attachments. There are 3 peg positions available to provide various attachment points on the base and also to allow for pre stretching of the bands for different tensions. *Be sure the bands are well positioned before and during use for safety. Be sure you understand how to use power bands.*

This item is only for use with the Ironmaster IM2000 model self spotting machine

For further details please visit our website at www.ironmaster.com

Warranty Information:

Ironmaster warrants to the original purchaser that this Home Fitness Product will be free from defects in workmanship and materials for a specific period from date of purchase based on the part type listed below. During the warranty period, Ironmaster will either repair or replace, at its option, defective part(s) at no charge. Warranty covers in home use only.

1 year for normal wear items such as rubber, upholstered parts and surface finishes.

10 years for frame and structural components.

Shipping costs are not included in the warranty and some items may need to be sent to Ironmaster for repair or replacement. Installation of any parts and labor involved is not included. The warranties described above shall be the sole and exclusive remedy available to the purchaser. Correction of defects, in the manner and for the period of time described above, shall constitute complete fulfillment of all liabilities and responsibilities of Ironmaster to the purchaser with respect to the product, and shall constitute full satisfaction of all claims, whether based on contract, negligence, strict liability or otherwise. In no event shall Ironmaster be liable or in any other way responsible for damages or defects in the product which were caused by repairs or attempted repairs performed by anyone other than Ironmaster or Authorized service Contractor. This warranty shall not apply if the defect was caused by misuse, neglect or normal wear and tear of the product purchased. Nor shall Ironmaster be liable or in any way responsible for any incidental or consequential economic or property damage. Some states do not allow the exclusion of incidental or consequential damage, so the above exclusion may not apply to you.