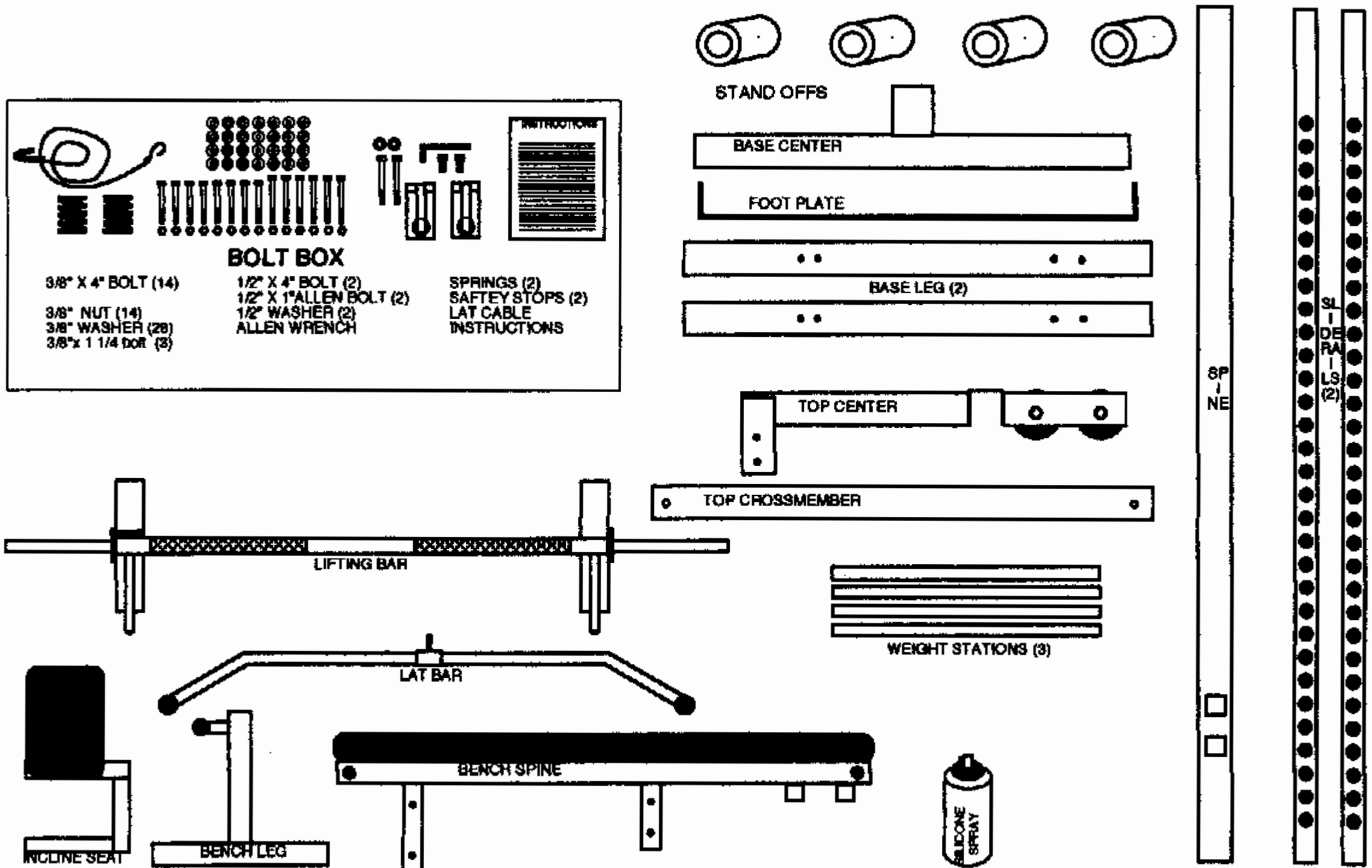


Congratulations on your purchase of the Ironmaster. The next few pages will aide you in assembling your machine. Only tools that are required are two adjustable wrenches. The first thing that you want to do is to unpack all of your boxes and make sure that you have received all of your parts. The part list below will help you in this. If you are missing anything or if anything is damaged call Spartan Mfg. right away and we will happy to help you out. Once again thank you for your purchase and enjoy your Ironmaster knowing you have bought the best home gym on the market.



The Ironmaster comes with a ten year warranty covering all structural parts. The cable coating, upholstery and paint are not covered. Please write down any comments or suggestions as we are always trying to improve are product.

Use only upholster grade silicone spray on the slide rails. This is not sold in hardware or automotive stores but may be purchased from Ironmaster. Spray slide rails once every 2 years or as needed. Use of other lubricants or the wrong silicone on the rails will retard the sliding and voids warranty.

WARRANTY CARD

Name: _____

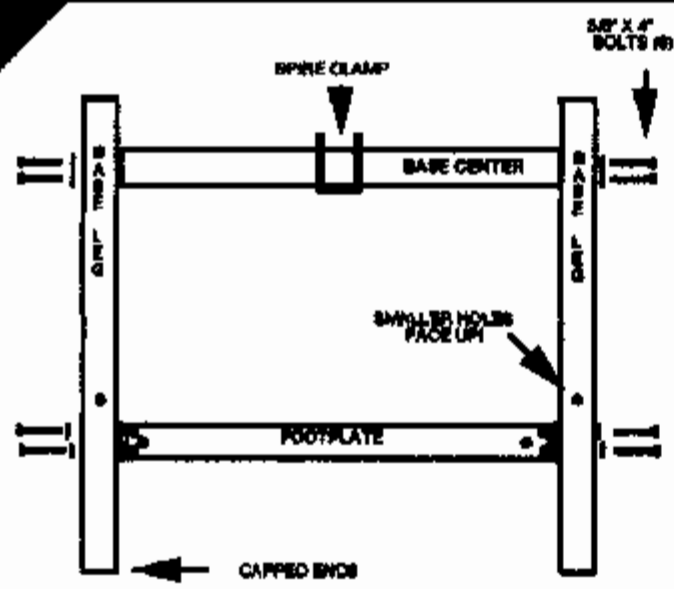
Invoice#: _____

Date Purchased: _____

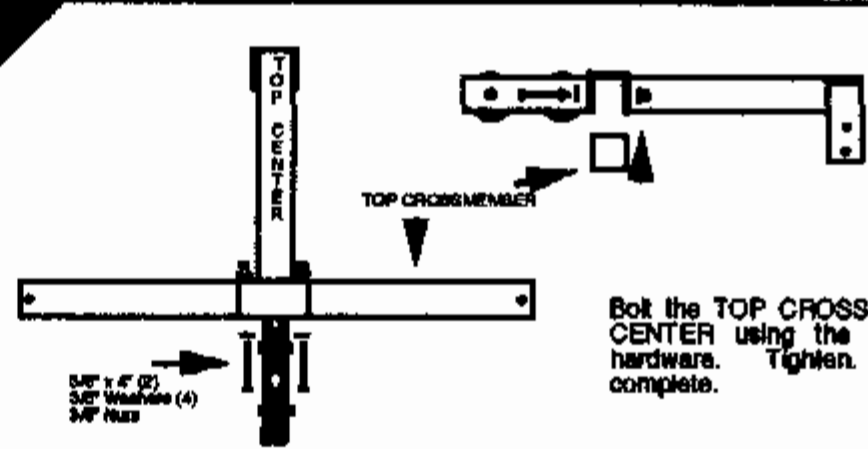
Where Purchased: _____

Which Ironmaster do you have? **IM1000 IM950 IM500**

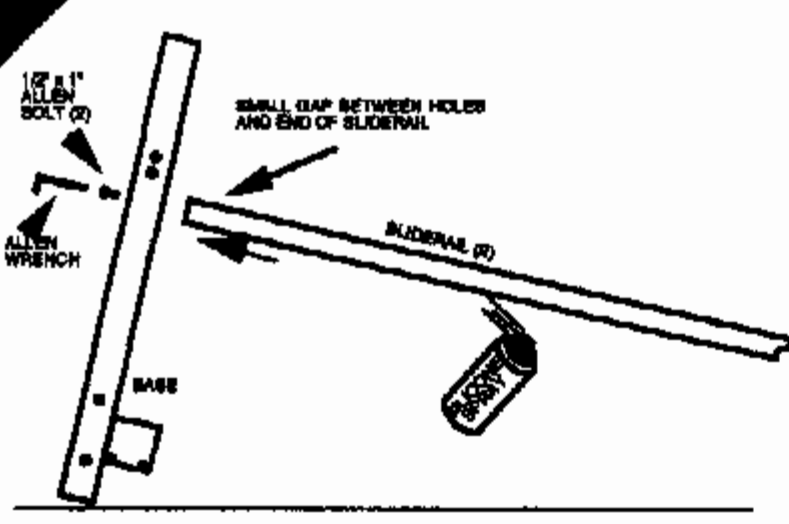
Comments or Suggestions:



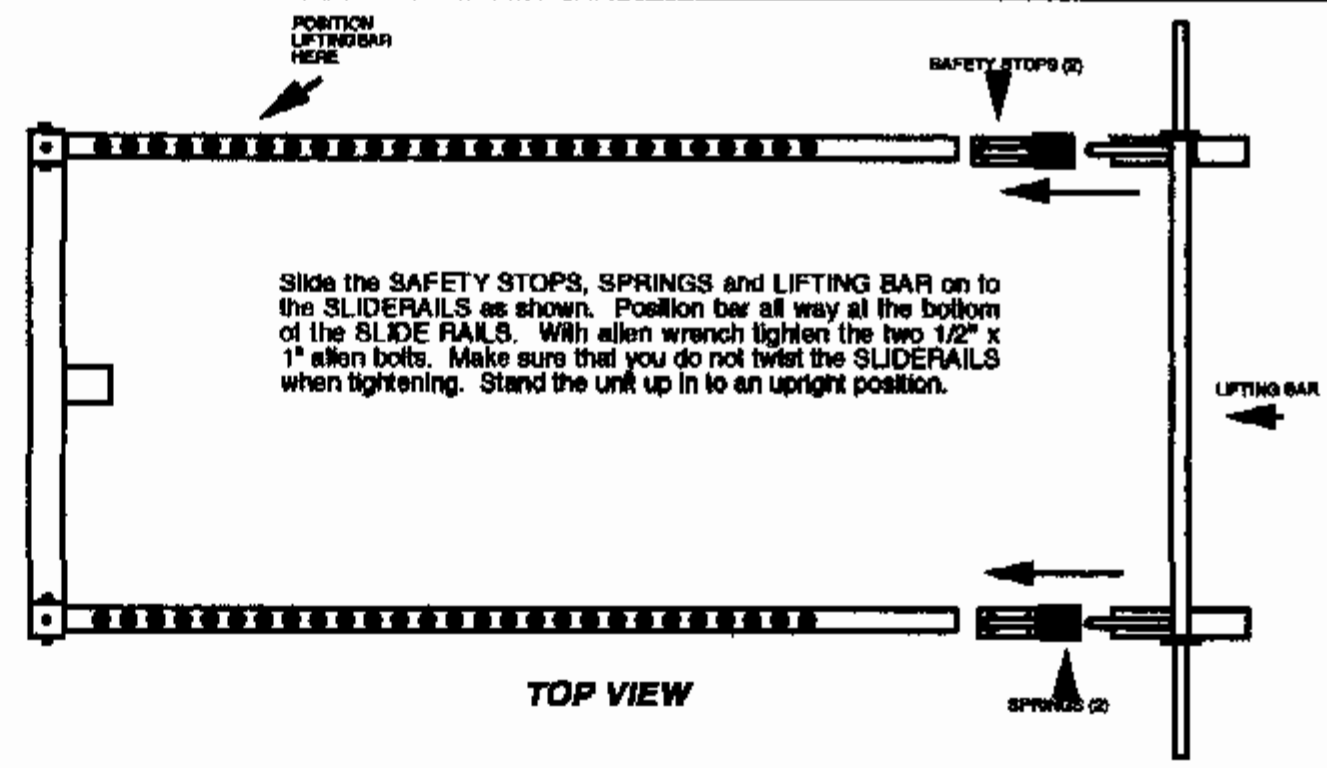
Position the BASE LEGS lying parallel on the floor, capped ends facing forward. Position BASE CENTER between BASE LEGS near back. Position FOOT PLATE between BASE LEGS near the front. Bolt the parts together using the 3/8" x 4" bolts along with the 3/8" nuts and washers as shown in the diagram. Tighten all nuts.



Bolt the TOP CROSSMEMBER to the TOP CENTER using the 3/8" x 4" bolts and hardware. Tighten. The TOP is now complete.

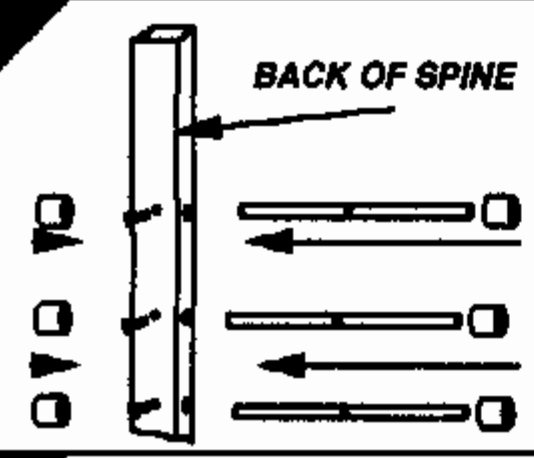


Tilt the BASE back as shown above. Bolt the two SLIDERAILS (one at a time) to the base using the 1/2" x 1" allen bolts and the allen wrench provided. Insert the 1/2" x 1" allen bolts into the bottom of the BASE and the into the slide rail. Thread bolt but do not tighten. Repeat for other side. Spray all four sides of each SLIDERAIL with SILICONE SPRAY.

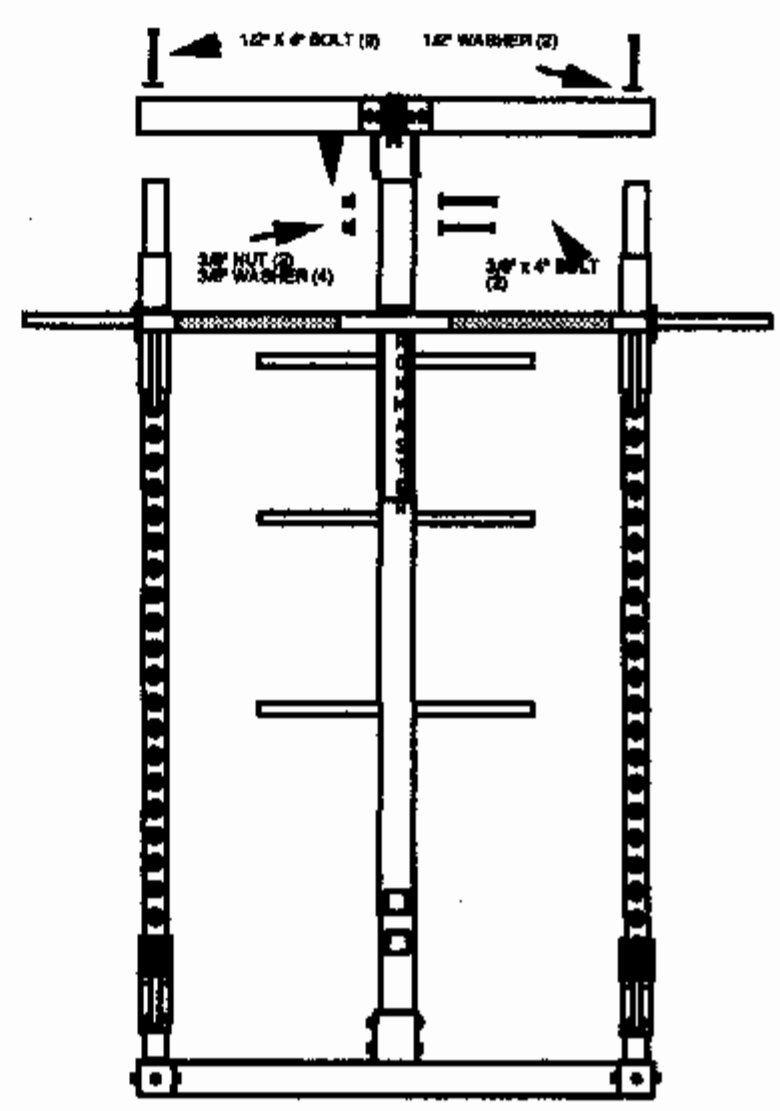


Slide the SAFETY STOPS, SPRINGS and LIFTING BAR on to the SLIDERAILS as shown. Position bar all way at the bottom of the SLIDE RAILS. With allen wrench tighten the two 1/2" x 1" allen bolts. Make sure that you do not twist the SLIDERAILS when tightening. Stand the unit up in to an upright position.

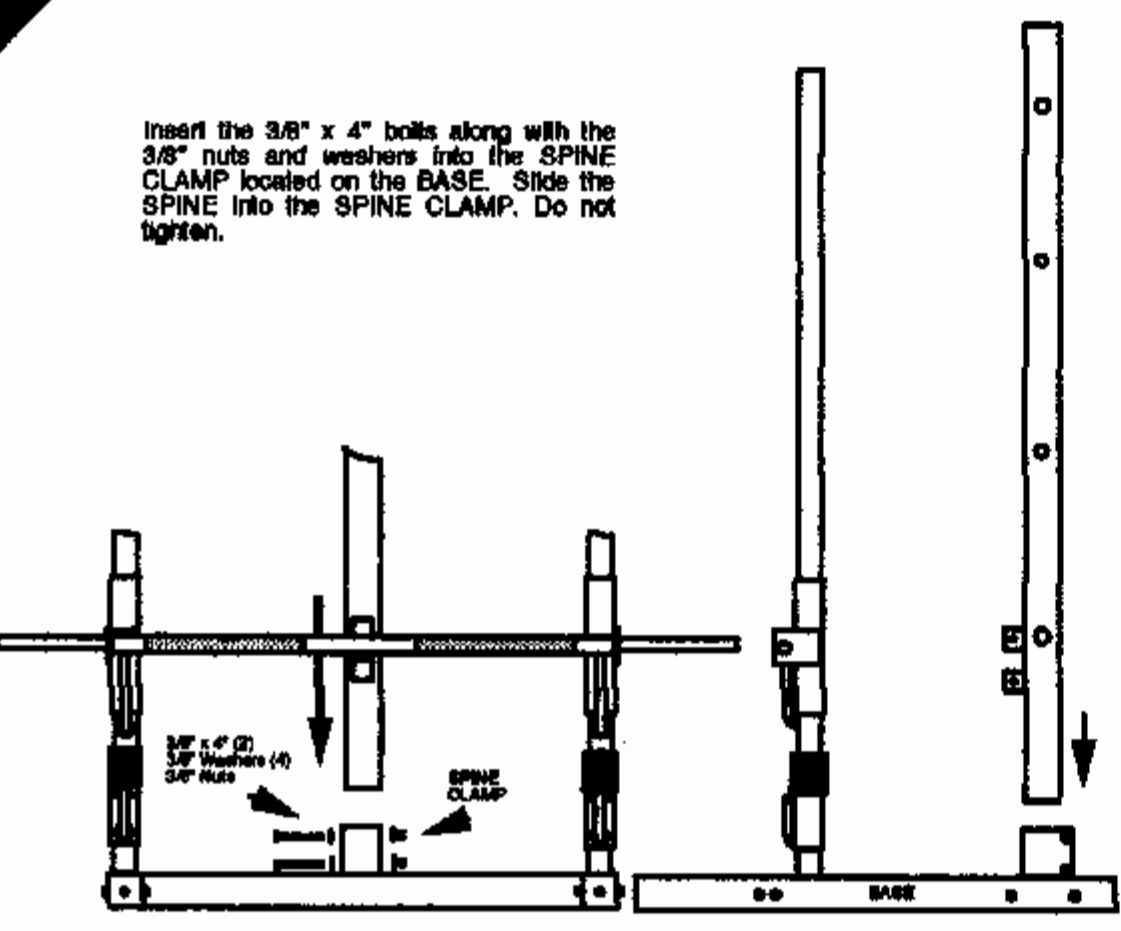
TOP VIEW



Insert 4 plate holders through holes in spine as shown. Face 3/8" threaded hole toward rear and line up hole with 7/16 hole in rear of spine. Insert 3/8" x 1 1/4 hex bolt to secure. Do not over tighten as tubing will collapse in center of spine. Slide plastic standoffs over the ends of the plate holders and up against the spine.



Position the TOP so that it rests on the two SLIDERAILS and the SPINE. Using the 3/8" x 4" bolts and hardware bolt the TOP to the SPINE. Do not tighten. Using the 1/2" x 4" bolts and washers, bolt the TOP to the SLIDERAILS. Position bar to the top of the SLIDERAILS and then tighten the 1/2" bolts. Make sure not to twist the SLIDERAILS.



Insert the 3/8" x 4" bolts along with the 3/8" nuts and washers into the SPINE CLAMP located on the BASE. Slide the SPINE into the SPINE CLAMP. Do not tighten.