

Assembly & Operating Instructions

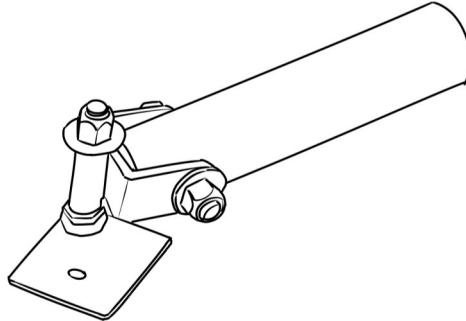
Ironmaster LANDMINE Attachment

Congratulations on your purchase of this fine Ironmaster product. Be sure to read and understand the operating instructions to achieve the best performance and avoid injury.

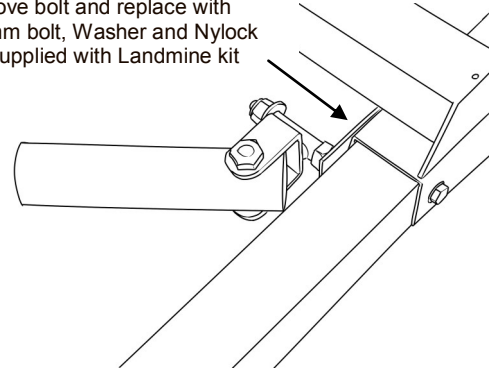
CONTENTS:

1X LAND MINE Attachment Unit and Hardware is preassembled.

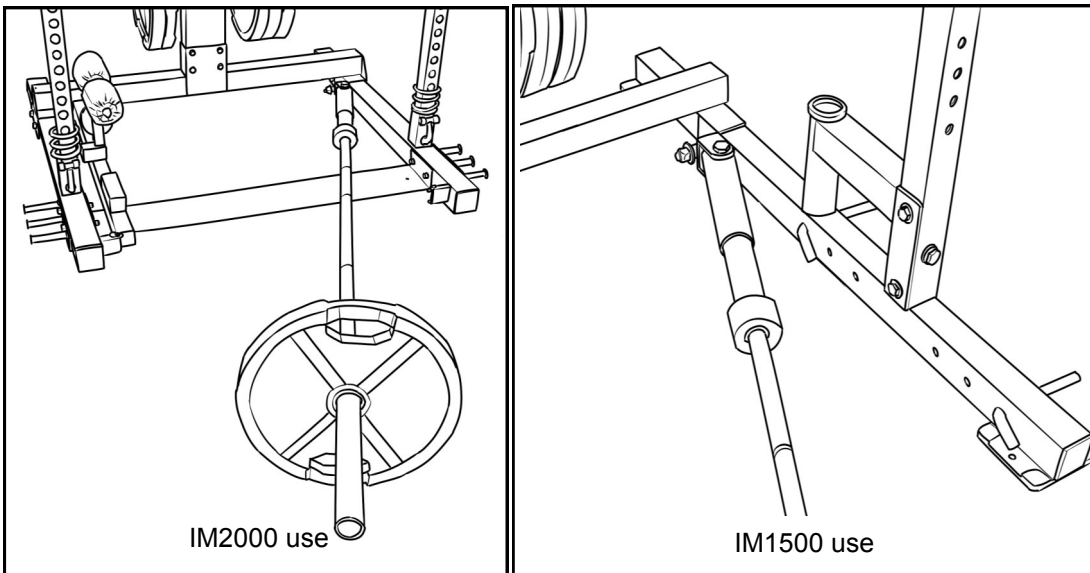
1x 110mm bolt
M10 Washer
M10 Nylock Nut



Remove bolt and replace with 110mm bolt, Washer and Nylock Nut supplied with Landmine kit



Assembly: This attachment can be bolted on the machine frame in various locations. We recommend the inside rear location as shown. Remove one bolt from the base frame and replace with 110mm bolt/Washer/Nylock Nut supplied. Next, with LAND MINE Attachment bracket facing rearward, and making sure bracket is square to frame, (see illustration for correct orientation) reinstall BASE bolt with LANDMINE Attachment in place and tighten securely.



Operation:

This device is designed for use as a pivot point for various barbell row exercises. Insert barbell end into the sleeve completely and check insertion before each use. Check clearance or full range of motion before use. Check bolt and nuts periodically. Unit does not require lubrication but light machine oil or grease may be used at the joints if needed.

This attachment only for Olympic barbell use with the Ironmaster IM1500 and IM2000 models. Not intended for any other use. Load limit 350 lbs.

For further details please visit our website at www.ironmaster.com.

Warranty Information:

Ironmaster warrants to the original purchaser that this Home Fitness Product will be free from defects in workmanship and materials for a specific period from date of purchase based on the part type listed below. During the warranty period, Ironmaster will either repair or replace, at its option, defective part(s) at no charge. Warranty covers in home use only.

1 year for normal wear items such as rubber, upholstered parts and surface finishes.

10 years for frame and structural components.

Shipping costs are not included in the warranty and some items may need to be sent to Ironmaster for repair or replacement. Installation of any parts and labor involved is not included. The warranties described above shall be the sole and exclusive remedy available to the purchaser. Correction of defects, in the manner and for the period of time described above, shall constitute complete fulfillment of all liabilities and responsibilities of Ironmaster to the purchaser with respect to the product, and shall constitute full satisfaction of all claims, whether based on contract, negligence, strict liability or otherwise. In no event shall Ironmaster be liable or in any other way responsible for damages or defects in the product which were caused by repairs or attempted repairs performed by anyone other than Ironmaster or Authorized service Contractor. This warranty shall not apply if the defect was caused by misuse, neglect or normal wear and tear of the product purchased. Nor shall Ironmaster be liable or in any way responsible for any incidental or consequential economic or property damage. Some states do not allow the exclusion of incidental or consequential damage, so the