

Assembly & Operating Instructions

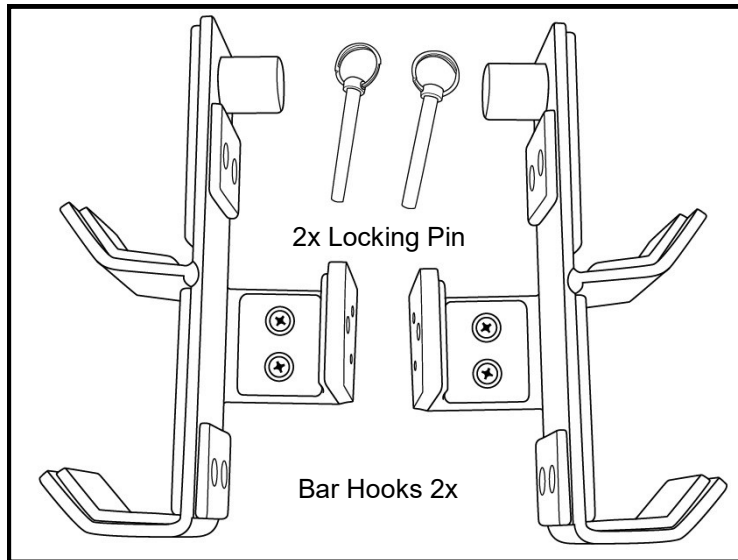
Ironmaster Bar Hook Set

Congratulations on your purchase of this fine Ironmaster product. For any technical questions or support please contact us at 1-800-533-3339. Be sure to read and understand the operating instructions.

Box Contents

Bar Hooks are compatible with the following self spotting Ironmaster-IM2000/IM1000/IM950/IM500 machines.

If unsure of compatibility, please contact your local Ironmaster dealer or contact us directly at the number listed in the Warranty section at the bottom of the page.

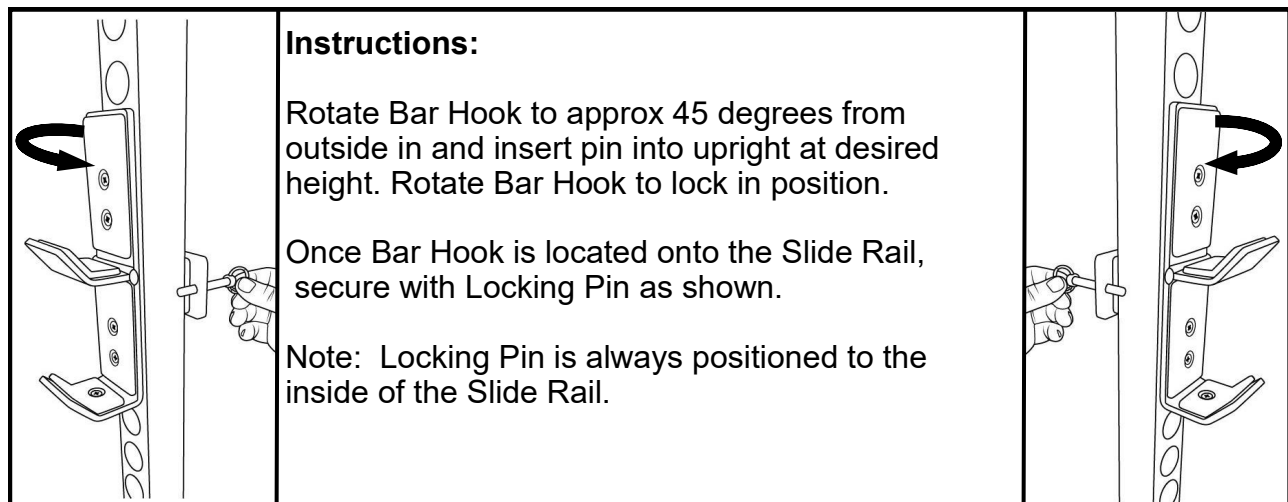


NOTE:

Bar Hooks have a weight limit of 1000pds (450kg). Do not exceed this weight rating under any circumstance.

CAUTION:

Misuse of Bar Hooks can result in serious injury. Mount Spotting Stands at an even height left and right and always check that the Bar Hook pins are fully inserted into uprights and locked into position before each workout.



For further information please visit our website at www.ironmaster.com

Warranty Information:

Your Ironmaster M2000 Bar Hook attachment has a limited 10 year warranty to the original purchaser. Warranty covers repair or replacement for mechanical integrity when used according to the instructions for normal exercise use. Warranty covers in home use only. Finish and wear items such as rubber and painted surfaces are not covered. If you require warranty service, contact Ironmaster for return instructions, additional terms and conditions.

Ironmaster LLC, 167th Ave SE Monroe, WA 98272 800-533-3339, 360-217-7780

Assembly & Operating Instructions

Ironmaster Spotting Arm Set

Congratulations on your purchase of this fine Ironmaster product. For any technical questions or support please contact us at 1-800-533-3339. Be sure to read and understand the operating instructions.

Box Contents

Spotting Arms 2x

Spotting Arms are compatible with the following self spotting Ironmaster IM2000/IM1000/IM950/IM500 machines.

If unsure of compatibility, please contact your local Ironmaster dealer or contact us directly at the number listed in the Warranty section at the bottom of the page.



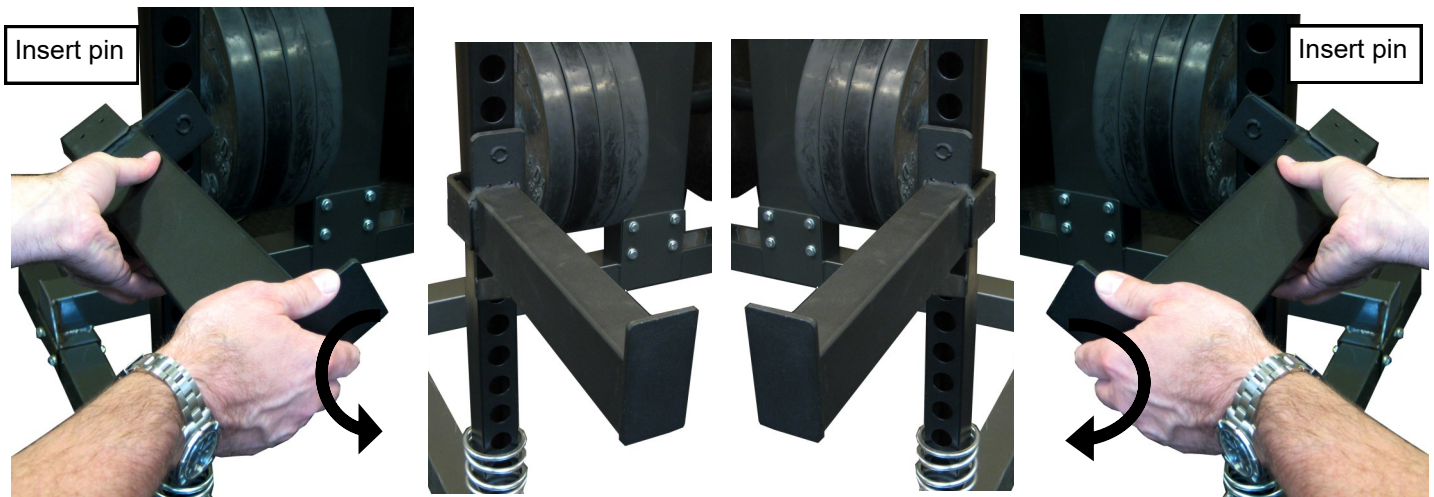
NOTE:

Spotting Arms have a weight limit of 500pds (230kg). Do not exceed this weight rating under any circumstance.

CAUTION:

Misuse of Spotting arms can result in serious injury. Mount Spotting Arms at an even height left and right and always check that the Spotting Arm pins are fully inserted into uprights and locked into position before each workout.

Instructions: Rotate Spotting Arms to approx 45 degrees (shown from outside in) insert pin into upright at desired height and rotate Spotting Arm to lock in position.



For further information please visit our website at www.ironmaster.com

Warranty Information:

Your Ironmaster M2000 Spotting Arm attachment has a limited 10 year warranty to the original purchaser. Warranty covers repair or replacement for mechanical integrity when used according to the instructions for normal exercise use. Warranty covers in home use only. Finish and wear items such as rubber and painted surfaces are not covered. If you require warranty service, contact Ironmaster for return instructions, additional terms and conditions.

Ironmaster LLC, 167th Ave SE Monroe, WA 98272 800-533-3339, 360-217-7780